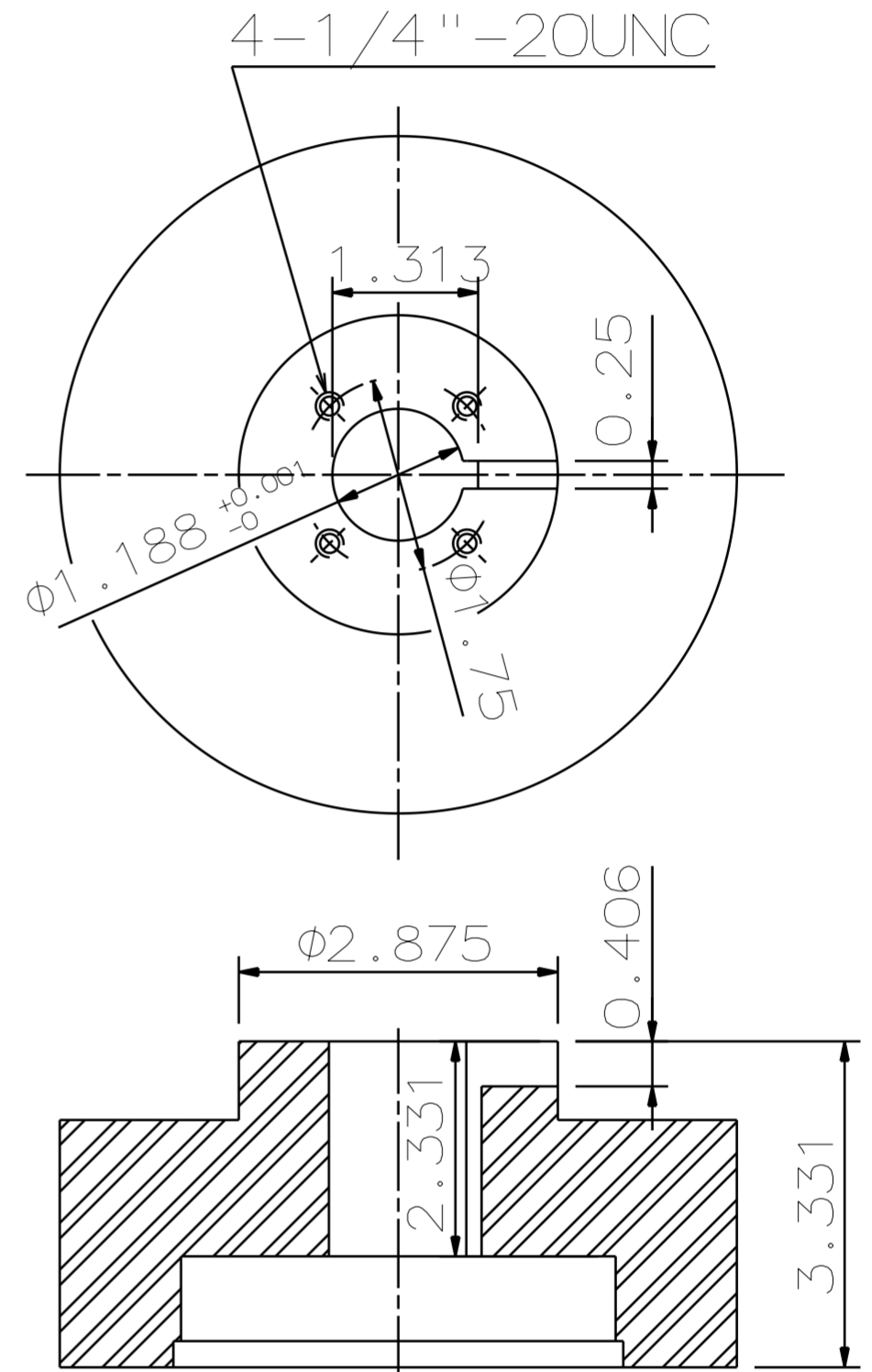
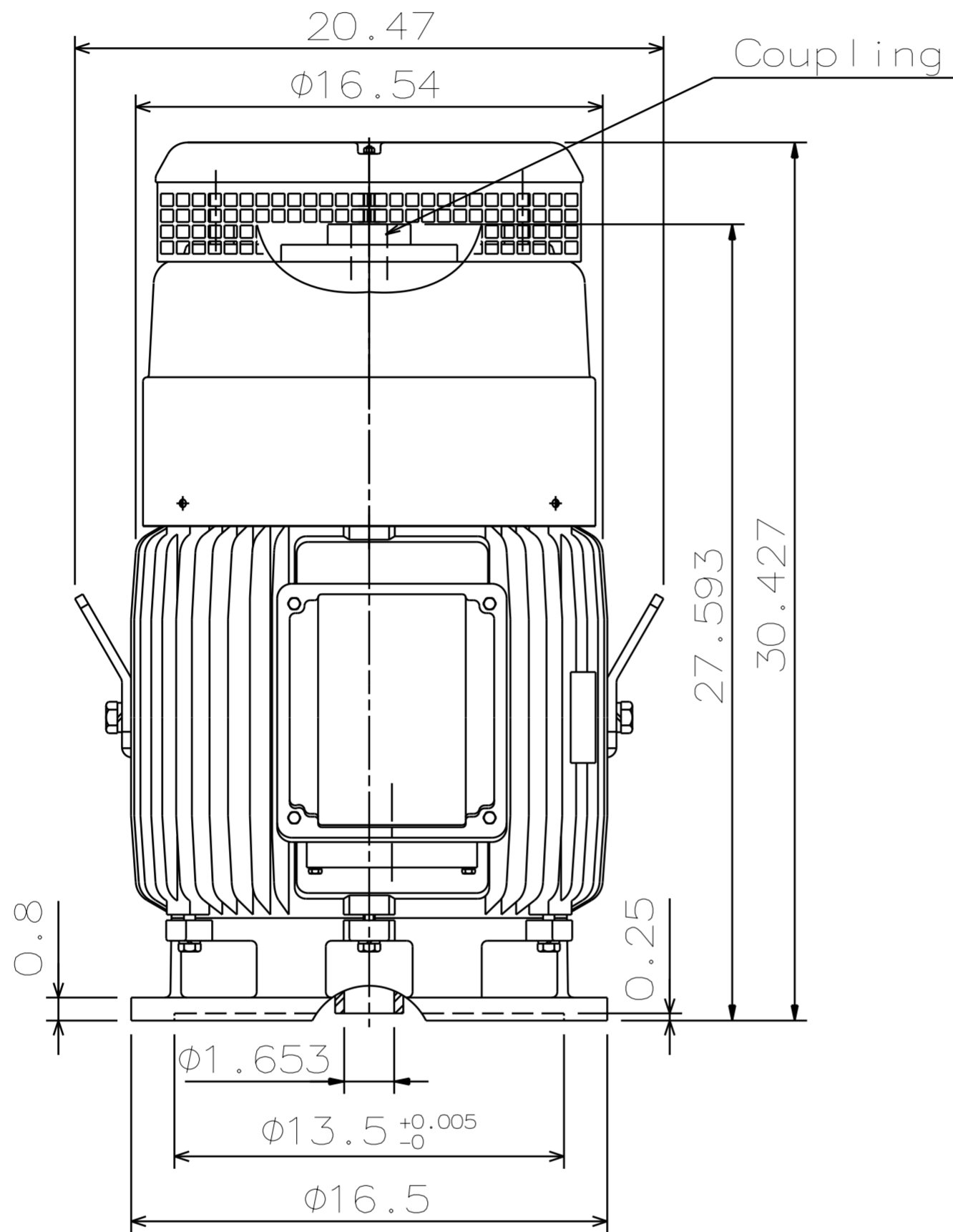


CATALOG NUMBER: VHTP0256	OUTLINE DIMENSIONS 3-PHASE INDUCTION MOTOR	MOTOR TYPE: AEEHNH
DATE OCT-03-2017		FRAME NO. 324TP

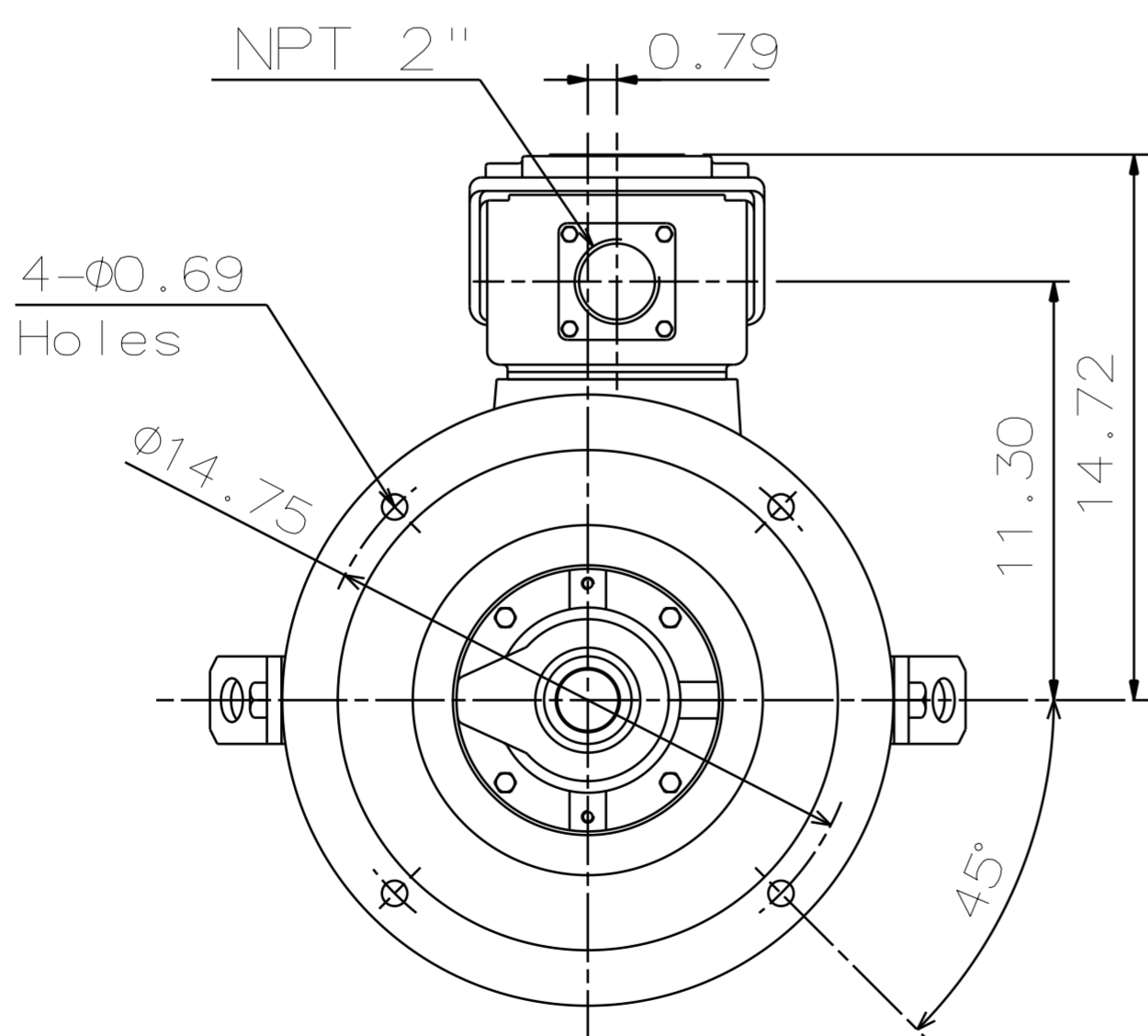
Pole	HP	kW	Hz	VOLT	r/min
6	25	18.6	60	230/460	1200

Ins	Rating	Dimension in	Approx Weight	Bearings
F	CONT.	inches	725 LBS	DE: 6312C3 NDE: 7315BE

Totally Enclosed Fan Cooled Vertical Type. Squirrel-cage Rotor.



Coupling Dimension



Note:

1. IPW44 Protection.
2. Rotation: C.C.W. (View from Top)
3. With Ball Type N.R.R.
4. Down Thrust: 5200 lbs. (L10: 8800 hours)
5. Space Heater Rated At 120 volts. Leads Terminate In The Main Lead Box.

1BG1700011-03-00

--	--	--

DWG.		02.07.17	DWG NO. 31057A556250
CHKD.		02.07.17	
APPD.		02.07.17	